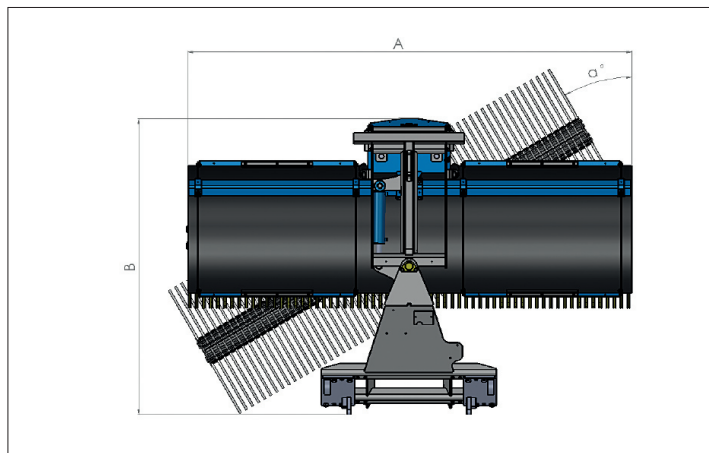
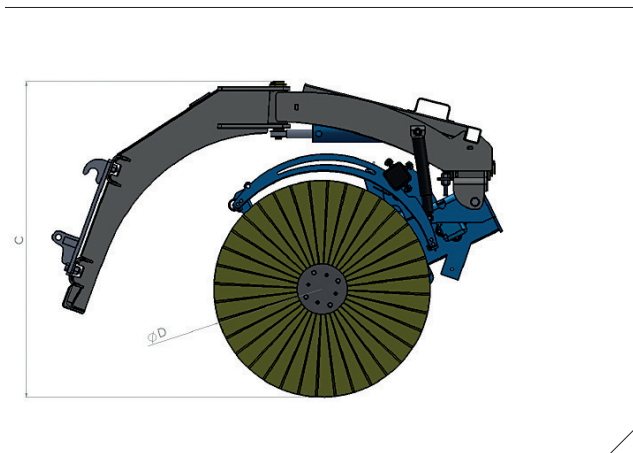


# TECHNICAL DATA



Model	AH250	AH280	AH300	AH330
Work width (cm), A	250	280	300	330
Length (cm), B	190	190	190	190
<b>Max. height (cm), C</b>	130	130	130	130
Brush diameter (cm)	90	90	90	90
Turning angle	32°	32°	32°	32°
Water tank volume	270 l	270 l	270 l	270 l
Empty weight	530 kg	570 kg	650 kg	680 kg
Hydraulic requirements (minimum) with high pressure dust suppression	55 l/min	55 l/min	55 l/min	55 l/min
Hydraulic requirements (minimum) without high pressure dust suppression	45 l/min	45 l/min	45 l/min	45 l/min
Hydraulic pressure (min - max)	180-220 bar	180-220 bar	180-220 bar	180-220 bar
Broom rotation (max)	250-300 rpm	250-300 rpm	250-300 rpm	250-300 rpm
Water consumption (Watering)	5-10 l /min	5-10 l /min	5-10 l /min	5-10 l /min
Water consumption (High pressure)	3-5 l/min	3-5 l/min	3-5 l/min	3-5 l/min
Machine recommendation (Operating weight)	larger than 4 ton (kg)	larger than 4 ton (kg)	larger than 4 ton (kg)	larger than 4 ton (kg)